

# Mini Chamfer



## Advantages

**Carbide grade: MT8** Sub-micron grade with advanced PVD triple coating (ISO K10-K20). Extremely high heat resistant and smooth cutting operation, for high performance, and normal machining conditions. General purpose for all materials.

- Optimal for deburring, back chamfering and grooving.
- Double side cutting.
- Spiral flute allows smooth cutting action.

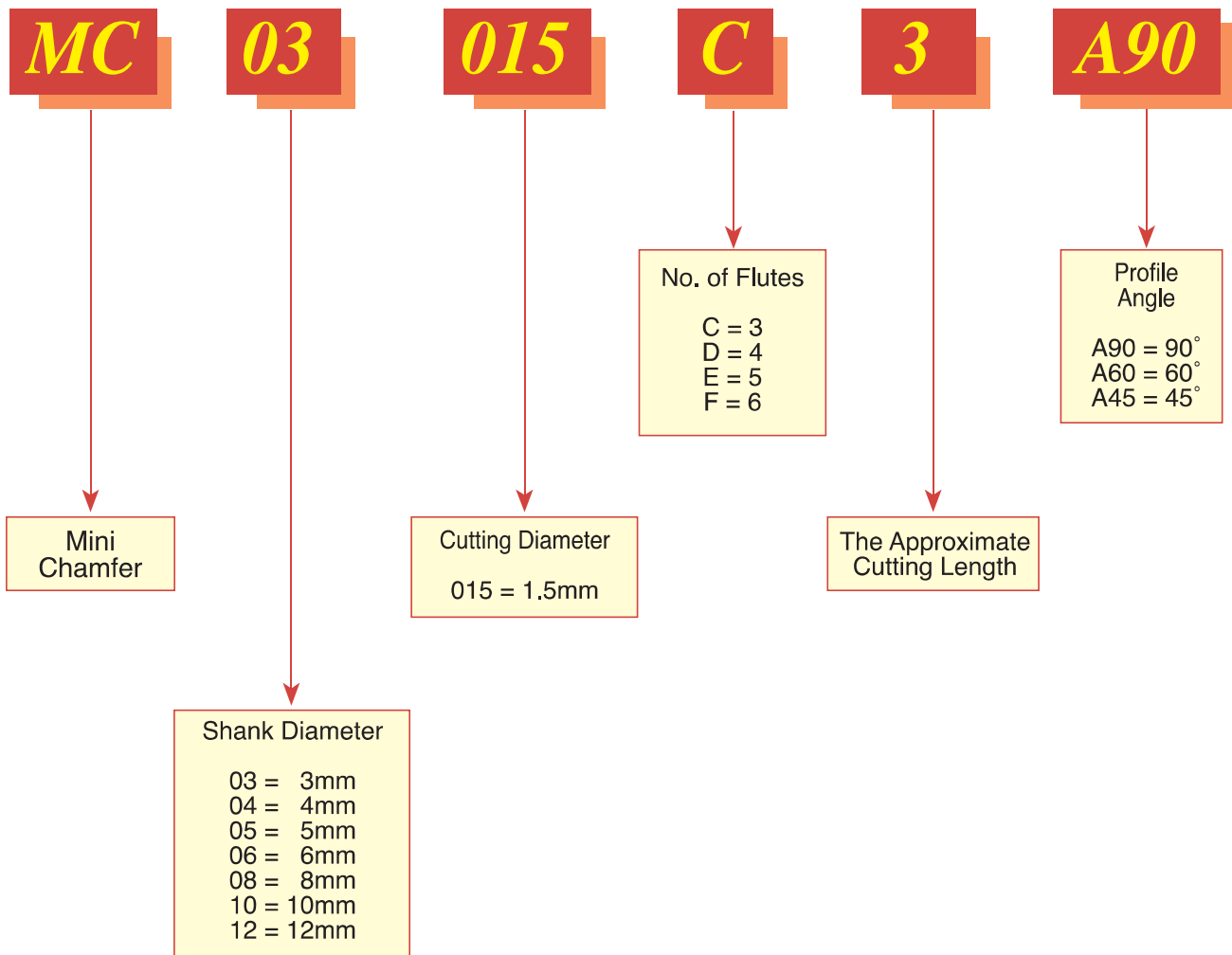
### Contents:

### Page:

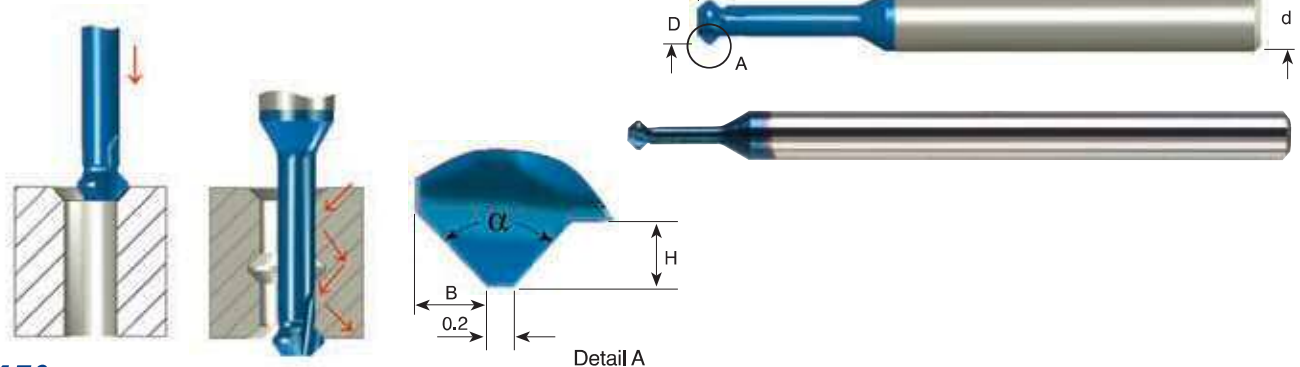
Product Identification	162
Mini Chamfer	163-164
Mini Chamfer Kit	164
Special Solid Carbide Tools	164

## Product Identification

### Mini Chamfer Ordering Codes



## Mini Chamfer



### 45°

Ordering Code	d	D	I	H	B	α	No. of Flutes	L
MC03015C3 A90	3	1.5	3.8	0.3	0.4	90°	3	39
MC0302C5 A90	3	2.0	5.0	0.4	0.5	90°	3	39
MC03025C6 A90	3	2.5	6.3	0.5	0.6	90°	3	39
MC0303C7 A90	3	3.0	7.5	0.6	0.7	90°	3	39
MC04035C9 A90	4	3.5	8.8	0.7	0.8	90°	3	51
MC0404C10 A90	4	4.0	10.0	0.8	0.9	90°	3	51
MC05045C11 A90	5	4.5	11.3	1.0	1.1	90°	3	51
MC0505C12 A90	5	5.0	12.5	1.1	1.2	90°	3	51
MC06055C13 A90	6	5.5	13.8	1.2	1.3	90°	3	51
MC0606C15 A90	6	6.0	15.0	1.5	1.6	90°	3	51

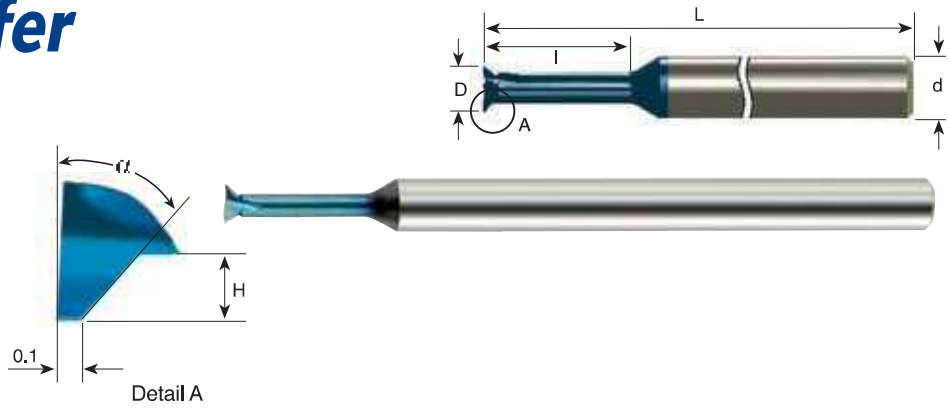
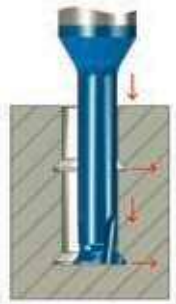
### Long Reach 45°

Ordering Code	d	D	I	H	B	α	No. of Flutes	L
MC0303C12 A90	3	3.0	12.0	0.6	0.7	90°	3	39
MC04035C14 A90	4	3.5	14.0	0.7	0.8	90°	3	51
MC0404C16 A90	4	4.0	16.0	0.8	0.9	90°	3	51
MC05045C18 A90	5	4.5	18.0	1.0	1.1	90°	3	51
MC0505C20 A90	5	5.0	20.0	1.1	1.2	90°	3	51
MC06055C22 A90	6	5.5	22.0	1.2	1.3	90°	3	58
MC0606C24 A90	6	6.0	24.0	1.5	1.6	90°	3	58
MC0808D28 A90	8	8.0	28.0	1.6	1.7	90°	4	64
MC1010E35 A90	10	10.0	35.0	1.8	1.8	90°	5	73
MC1212F42 A90	12	12.0	42.0	2.1	2.2	90°	6	84

### 30°

Ordering Code	d	D	I	H	B	α	No. of Flutes	L
MC0302C5 A60	3	2.0	5.0	0.4	0.3	60°	3	39
MC0303C7 A60	3	3.0	7.5	0.6	0.3	60°	3	39
MC04035C9 A60	4	3.5	8.8	0.7	0.5	60°	3	51
MC0404C10 A60	4	4.0	10.0	0.8	0.5	60°	3	51
MC05045C11 A60	5	4.5	11.3	1.0	0.6	60°	3	51
MC0505C12 A60	5	5.0	12.5	1.1	0.7	60°	3	51

## Mini Chamfer



### Dovetail 45° \*

Ordering Code	d	D	I	H	$\alpha$	No. of Flutes	L
MC03015C4 A45	3	1.5	4.5	0.3	45°	3	39
MC0302C6 A45	3	2.0	6.0	0.4	45°	3	39
MC03025C7 A45	3	2.5	7.5	0.5	45°	3	39
MC0303C12 A45	3	3.0	12.0	0.6	45°	3	39
MC04035C14 A45	4	3.5	14.0	0.7	45°	3	51
MC0404C16 A45	4	4.0	16.0	0.8	45°	3	51
MC05045C18 A45	5	4.5	18.0	1.0	45°	3	51
MC0505C20 A45	5	5.0	20.0	1.1	45°	3	51
MC06055C22 A45	6	5.5	22.0	1.2	45°	3	58
MC0606C24 A45	6	6.0	24.0	1.5	45°	3	58

\* One cutting edge

## Mini Chamfer Kit

Kit KMC	Qty
MC 0303 C12 A90	1
MC 03025 C6 A90	1
MC 0404 C10 A90	1
MC 04035 C9 A90	1
MC 05045 C11 A90	1
MC 0606 C24 A90	1



## Special Solid Carbide Tools



As part of being a service-orientated company, Carmex produces specials according to customer's requirements. Special tools are supplied in short delivery times.

