

Mill-Thread Toolholders

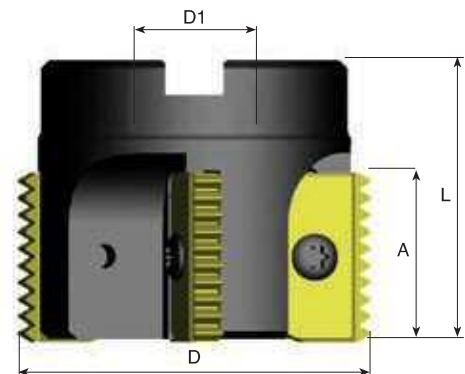


Contents:

Page:

Product Identification	78
Single Insert Toolholders	78
Long Shank Toolholders	79
Twin Insert Toolholders	80
Multi Insert Toolholders	81
External Multi Insert Toolholders	81
Long Carbide Shank Toolholders	82
Carbide Shank Toolholders for Single Point Threading	82
D-Thread Inserts and Toolholders	83-84

Multi Insert Toolholders

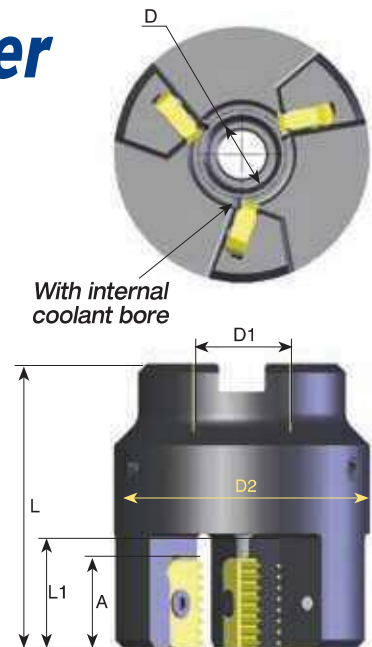


Ordering Code	A	D	D1	L	No. of Inserts	Insert Screw	Torx Key
SR0063C21-5	21	63	22	50	5	S21	K21
SR0063C30-4	30	63	22	50	4	S30	K30
SR0080D30-4	30	80	27	55	4	S30	K30
SR0100D30-4	30	100	32	60	4	S30	K30
SR0080D40-4	40	80	27	65	4	S40	K40
SR0100E40-4	40	100	32	70	4	S40	K40

Order example: SR0080D30-4

External Multi Insert Toolholder

- Reduced machining time
- Optimal coolant supply



Ordering Code	A	D	D1	D2	L	L1	No. of Inserts	Insert Screw	Torx Key
SLE0020D21- 3	21	20	22	58	65	25	3	S21	K21
SLE0030D21- 3	21	30	22	68	65	25	3	S21	K21
SLE0045E21- 4	21	45	27	83	70	25	4	S21	K21

Order example: SLE 0030D21-3