

Das Werkzeugsystem im Überblick The Tool System Overview

Bitte beachten Sie die allgemeinen Gebrauchshinweise auf Seite
Please read the General Instructions for use on Page

313

Kompromisslose Leistung für besondere Anwendungen.
Performance without compromise for special Applications.



Sonderwerkzeugsystem
Special Tool System

Wendeschneidplatten erhalten Sie auf Anfrage.
Special Cutting Inserts are available upon request.

Für kundenindividuelle Anforderungen an höchste Präzision, Wiederholgenauigkeit, Leistung und Stabilität bieten wir mit diesen Werkzeugsystemen eine passende Lösung außerhalb des Standardsortiments.

Dreischneidige, vollständig präzisionsgeschliffene Wendeschneidplatte für Sonderanwendungen. Umfangreiche Auswahl an Standardträgerwerkzeugen - und wenn das passende nicht dabei sein sollte, ist auch das Trägerwerkzeug als Sonderausführung verfügbar.

These systems are the first choice for individual needs towards highest Precision, Repeatability, Performance and Stability - without compromise.

Triple-edged, fully ground and indexable carbide cutting insert for special applications.

Wide range of standard toolholders - and a matching special solution in case there is no standard given.

Klemmhalter, Außenbearbeitung

Trägerschaft für die Außenbearbeitung,
bei Formbreiten bis etwa 6,0 mm.

Toolholder, External Applications

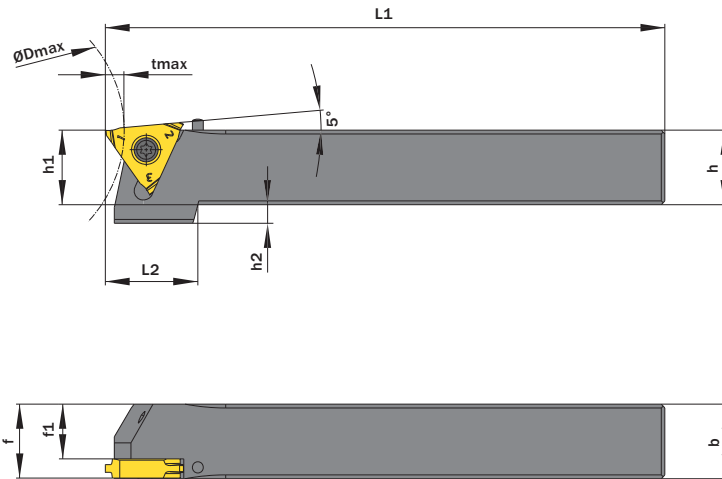
Toolholder für external applications
and form widths up to 6,0 mm.

Anzugsmoment (Schraube) // Tightening Torque (Screw)

7,0 Nm

Legende auf Seite
Legend on page

289



| Bohrungsdurchmesser (ØDmax) Bore diameter (ØDmax) | tmax |
|--|------------------|
| Ø63,0 mm / 2.4803" | 5,5 mm / 0.2165" |
| Ø80,0 mm / 3.1496" | 5,0 mm / 0.1969" |
| Ø100,0 mm / 3.9370" | 5,0 mm / 0.1969" |
| Ø125,0 mm / 4.9213" | 4,5 mm / 0.1772" |
| Ø160,0 mm / 6.2992" | 4,5 mm / 0.1772" |
| Ø200,0 mm / 7.8740" | 4,0 mm / 0.1575" |

Abbildung zeigt / Drawing shows: TF3.50.2020.A.15.00 R

| h | b | L1 | Artikelnummer Part number | Webcode www.simtek.eu/webcode | f | f1 | h1 ^{js14} | h2 | L2 | Schraube Screw | Schraubenschlüssel Screw driver | Connectcode www.simtek.eu/code |
|---------------|------|-------|------------------------------|----------------------------------|------|------|--------------------|-----|------|-------------------|------------------------------------|-----------------------------------|
| mm | mm | mm | | | mm | mm | mm | mm | mm | | | |
| ▼ h = 16,0 mm | | | | | | | | | | | | |
| 16,0 | 16,0 | 125,0 | TF3.51.1616.A.12.00 R/L | R ASBB L ASBA | 16,3 | - | 16,0 | 9,0 | 24,0 | F M5x13 T20R | T20R | R TF3.R.51.00 L TF3.L.51.00 |
| ▼ h = 20,0 mm | | | | | | | | | | | | |
| 20,0 | 20,0 | 150,0 | TF3.50.2020.A.15.00 R/L | R AS58 L ATXZ | 20,2 | 14,6 | 20,0 | 5,0 | 26,5 | F M5x13 T20R | T20R | R TF3.R.50.00 L TF3.L.50.00 |
| 20,0 | 20,0 | 125,0 | TF3.51.2020.A.12.00 R/L | R ASBD L ASBC | 20,3 | - | 20,0 | 5,0 | 24,0 | F M5x13 T20R | T20R | R TF3.R.51.00 L TF3.L.51.00 |
| ▼ h = 25,0 mm | | | | | | | | | | | | |
| 25,0 | 25,0 | 150,0 | TF3.50.2525.A.15.00 R/L | R AS57 L ATXØ | 25,2 | 19,6 | 25,0 | - | - | F M5x13 T20R | T20R | R TF3.R.50.00 L TF3.L.50.00 |
| 25,0 | 25,0 | 150,0 | TF3.51.2525.A.15.00 R/L | R ASBF L ASBE | 25,3 | - | 25,0 | - | - | F M5x13 T20R | T20R | R TF3.R.51.00 L TF3.L.51.00 |
| ▼ h = 32,0 mm | | | | | | | | | | | | |
| 32,0 | 25,0 | 150,0 | TF3.50.3225.A.15.00 R/L | R AS8G L AS8H | 25,2 | 19,6 | 32,0 | - | - | F M5x13 T20R | T20R | R TF3.R.50.00 L TF3.L.50.00 |

Bestellbeispiel // Order Example: TF3.50.2525.A.15.00 R (R = Rechte Ausführung // Right Hand Version)

Klemmhalter, Außenbearbeitung, mit zusätzlichem Spannkeil

Trägerschaft für die Außenbearbeitung, bei Formbreiten ab 6,0 mm.

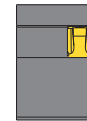
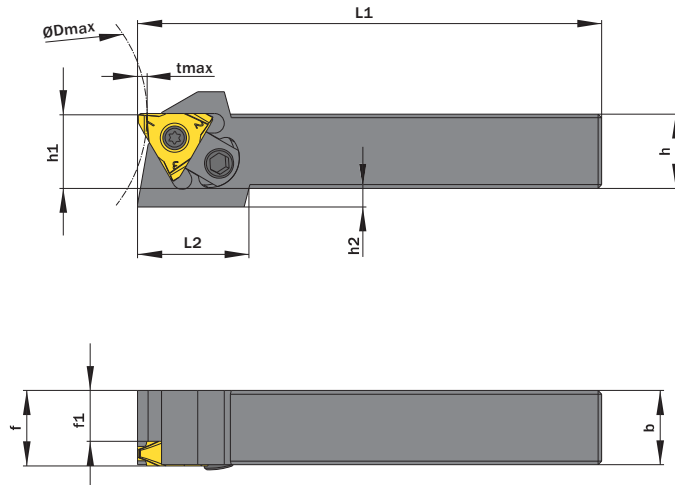
Toolholder, External Applications with additional Fixation Element

Toolholder für external applications and form widths as of 6,0 mm.

Anzugsmoment (Schraube) // Tightening Torque (Screw)

"F M5x13 T20R": 7,0 Nm
"F M5x15 T20R": 7,0 Nm

TW **R** Legende auf Seite 289
ST Legend on page



| Bohrungsdurchmesser (ØDmax) Bore diameter (ØDmax) | tmax |
|--|------------------|
| Ø20,0 mm / 0.7874" | 6,0 mm / 0.2362" |
| Ø30,0 mm / 1.1811" | 4,5 mm / 0.1772" |
| Ø40,0 mm / 1.5748" | 4,0 mm / 0.1575" |
| Ø50,0 mm / 1.9685" | 3,5 mm / 0.1378" |
| Ø60,0 mm / 2.3622" | 3,5 mm / 0.1378" |
| Ø100,0 mm / 3.9370" | 3,0 mm / 0.1181" |

Abbildung zeigt / Drawing shows: TF3.00.2020.B.12.06 R

| h | b | L1 | Artikelnummer Part number | Webcode www.simtek.at/webcode | f | f1 | h1 ^{js14} | h2 | L2 | Schraube Screw | Schraubenschlüssel Screw driver | Connectcode www.simtek.at/code |
|---|------|-------|------------------------------|----------------------------------|------|-------|--------------------|-----|------|-------------------|------------------------------------|-----------------------------------|
| mm | mm | mm | | | mm | mm | mm | mm | mm | | | |
| ▼ Connectcode = TF3.R.00.06 / TF3.L.00.06 | | | | | | | | | | | | |
| 20,0 | 20,0 | 90,0 | TF3.00.2020.B.09.06 R/L | R AHY8 L ATX1 | 20,0 | 13,7 | 20,0 | 5,0 | 30,0 | F M5x13 T20R | T20R | R TF3.R.00.06 L TF3.L.00.06 |
| 20,0 | 20,0 | 125,0 | TF3.00.2020.B.12.06 R/L | R ASZQ L AB52 | 20,0 | 13,7 | 20,0 | 5,0 | 30,0 | F M5x13 T20R | T20R | R TF3.R.00.06 L TF3.L.00.06 |
| 25,0 | 25,0 | 90,0 | TF3.00.2525.B.09.06 R/L | R ATYA L ATX9 | 25,0 | 18,7 | 25,0 | - | - | F M5x13 T20R | T20R | R TF3.R.00.06 L TF3.L.00.06 |
| 25,0 | 25,0 | 150,0 | TF3.00.2525.B.15.06 R/L | R APYP L ASZU | 25,0 | 18,7 | 25,0 | - | - | F M5x13 T20R | T20R | R TF3.R.00.06 L TF3.L.00.06 |
| ▼ Connectcode = TF3.R.00.08 / TF3.L.00.08 | | | | | | | | | | | | |
| 20,0 | 20,0 | 90,0 | TF3.00.2020.B.09.08 R/L | R ATX6 L ATX5 | 20,0 | 12,45 | 20,0 | 5,0 | 30,0 | F M5x13 T20R | T20R | R TF3.R.00.08 L TF3.L.00.08 |
| 20,0 | 20,0 | 125,0 | TF3.00.2020.B.12.08 R/L | R AJHZ L ASZS | 20,0 | 12,45 | 20,0 | 5,0 | 30,0 | F M5x13 T20R | T20R | R TF3.R.00.08 L TF3.L.00.08 |
| 25,0 | 25,0 | 90,0 | TF3.00.2525.B.09.08 R/L | R ATYC L ATYB | 25,0 | 17,45 | 25,0 | - | - | F M5x13 T20R | T20R | R TF3.R.00.08 L TF3.L.00.08 |
| 25,0 | 25,0 | 150,0 | TF3.00.2525.B.15.08 R/L | R AAC4 L ASZV | 25,0 | 17,45 | 25,0 | - | - | F M5x13 T20R | T20R | R TF3.R.00.08 L TF3.L.00.08 |
| ▼ Connectcode = TF3.R.00.10 / TF3.L.00.10 | | | | | | | | | | | | |
| 20,0 | 20,0 | 90,0 | TF3.00.2020.B.09.10 R/L | R ATX7 L ATX8 | 20,0 | 9,5 | 20,0 | 5,0 | 30,0 | F M5x15 T20R | T20R | R TF3.R.00.10 L TF3.L.00.10 |
| 20,0 | 20,0 | 125,0 | TF3.00.2020.B.12.10 R/L | R ASZT L APA5 | 20,0 | 9,5 | 20,0 | 5,0 | 30,0 | F M5x15 T20R | T20R | R TF3.R.00.10 L TF3.L.00.10 |
| 25,0 | 25,0 | 90,0 | TF3.00.2525.B.09.10 R/L | R ATYE L ATYD | 25,0 | 14,7 | 25,0 | - | - | F M5x15 T20R | T20R | R TF3.R.00.10 L TF3.L.00.10 |
| 25,0 | 25,0 | 150,0 | TF3.00.2525.B.15.10 R/L | R AGDG L ASZW | 25,0 | 14,7 | 25,0 | - | - | F M5x15 T20R | T20R | R TF3.R.00.10 L TF3.L.00.10 |

Bestellbeispiel // Order Example: TF3.00.2020.B.12.08 R (R = Rechte Ausführung // Right Hand Version)

Klemmhalter, Außenbearbeitung

Trägerschaft für die Außenbearbeitung, bei schmalen Breiten mit hohen Stechtiefen in großen Werkstückdurchmessern.

Toolholder, External Applications

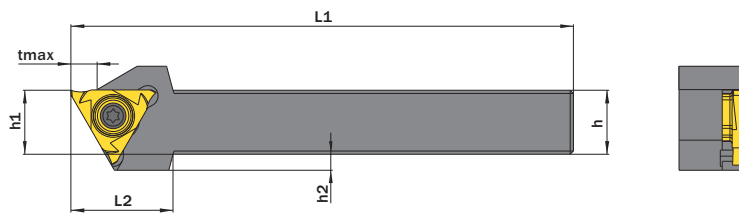
Toolholder for external applications and small widths with high cutting depths on large work piece diameters.

Anzugsmoment (Schraube) // Tightening Torque (Screw)

7,0 Nm

Legende auf Seite
Legend on page

289



Maß f in Abhängigkeit der Schneidplatte
Measure f depends on cutting insert

Abbildung zeigt / Drawing shows: TF3.00.1616.C.12.00 R

| h | b | L1 | Artikelnummer Part number | Webcode www.simtek.eu/webcode | f1 | h1 ^{is14} | h2 | L2 | tmax | Schraube Screw | Schraubenschlüssel Screw driver | Connectcode www.simtek.eu/code |
|----------------------|------|-------|--------------------------------|----------------------------------|------|--------------------|-----|------|------|-------------------|------------------------------------|-----------------------------------|
| mm | mm | mm | | | mm | mm | mm | mm | mm | | | |
| ▼ h = 16,0 mm | | | | | | | | | | | | |
| 16,0 | 16,0 | 125,0 | TF3.00.1616.C.12.00 R/L | R ASZX L ADAJ | 10,8 | 16,0 | 5,0 | 25,0 | 5,0 | F M5x13 T20R | T20R | R TF3.R.00.00 L TF3.L.00.00 |
| 16,0 | 16,0 | 125,0 | TF3.50.1616.C.12.00 R/L | R AG5J L ASZY | 10,8 | 16,0 | 5,0 | 25,0 | 5,0 | F M5x13 T20R | T20R | R TF3.R.50.00 L TF3.L.50.00 |
| ▼ h = 20,0 mm | | | | | | | | | | | | |
| 20,0 | 20,0 | 125,0 | TF3.00.2020.C.12.00 R/L | R AJFQ L ASZZ | 14,8 | 20,0 | - | - | 5,0 | F M5x13 T20R | T20R | R TF3.R.00.00 L TF3.L.00.00 |
| 20,0 | 20,0 | 125,0 | TF3.50.2020.C.12.00 R/L | R ABQ8 L ASZ0 | 14,8 | 20,0 | - | - | 5,0 | F M5x13 T20R | T20R | R TF3.R.50.00 L TF3.L.50.00 |
| 20,0 | 20,0 | 125,0 | TF3.51.2020.C.12.00 R/L | R AA69 L ASZ1 | - | 20,0 | - | - | 5,0 | F M5x13 T20R | T20R | R TF3.R.51.00 L TF3.L.51.00 |
| ▼ h = 25,0 mm | | | | | | | | | | | | |
| 25,0 | 25,0 | 150,0 | TF3.00.2525.C.15.00 R/L | R AHUW L ASZ2 | 19,8 | 25,0 | - | - | 5,0 | F M5x13 T20R | T20R | R TF3.R.00.00 L TF3.L.00.00 |
| 25,0 | 25,0 | 150,0 | TF3.50.2525.C.15.00 R/L | R AGWJ L ASZ3 | 19,8 | 25,0 | - | - | 5,0 | F M5x13 T20R | T20R | R TF3.R.50.00 L TF3.L.50.00 |
| 25,0 | 25,0 | 150,0 | TF3.51.2525.C.15.00 R/L | R AMFF L ASZ4 | - | 25,0 | - | - | 5,0 | F M5x13 T20R | T20R | R TF3.R.51.00 L TF3.L.51.00 |
| ▼ h = 32,0 mm | | | | | | | | | | | | |
| 32,0 | 32,0 | 150,0 | TF3.50.3232.C.15.00 R/L | R AS8K L AS8J | 26,8 | 32,0 | - | - | 5,0 | F M5x13 T20R | T20R | R TF3.R.50.00 L TF3.L.50.00 |

|| Bestellbeispiel // Order Example: **TF3.50.2020.C.12.00 R** (R = Rechte Ausführung // Right Hand Version)

Klemmhalter, Außenbearbeitung

Trägerschaft für die Außenbearbeitung, besonders geeignet für hohe Stechtiefen bei relativ schmalen Schneidenbreiten.

Toolholder, External Applications

Toolholder for external applications and especially for cutting inserts with higher cutting depths and smaller widths.

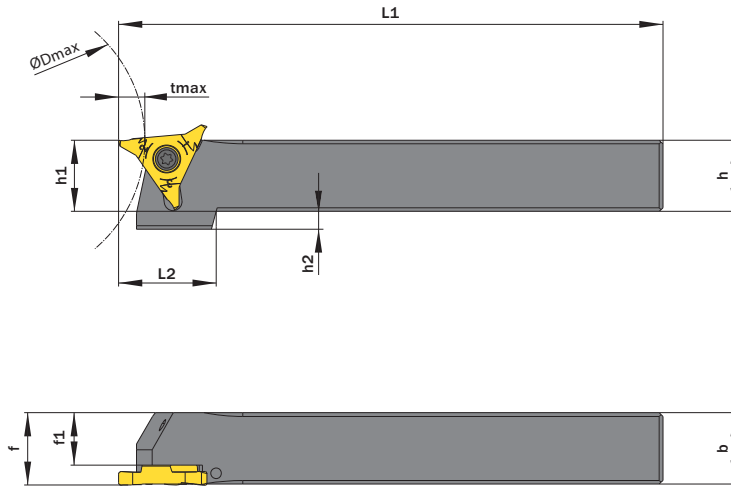
Anzugsmoment (Schraube) // Tightening Torque (Screw)

7,0 Nm



Legende auf Seite
Legend on page

289



| Bohrungsdurchmesser (ØDmax) Bore diameter (ØDmax) | tmax |
|--|------------------|
| Ø63,0 mm / 2.4803" | 8,0 mm / 0.3150" |
| Ø80,0 mm / 3.1496" | 7,5 mm / 0.2953" |
| Ø100,0 mm / 3.9370" | 7,5 mm / 0.2953" |
| Ø125,0 mm / 4.9213" | 7,0 mm / 0.2756" |
| Ø160,0 mm / 6.2992" | 7,0 mm / 0.2756" |
| Ø200,0 mm / 7.8740" | 6,5 mm / 0.2559" |

Abbildung zeigt / Drawing shows: TF3.50.2020.E.15.00 R

| h | b | L1 | Artikelnummer Part number | Webcode www.simtek.at/webcode | f | f1 | h1 ^{js14} | h2 | L2 | Schraube Screw | Schraubenschlüssel Screw driver | Connectcode www.simtek.at/code |
|---------------|------|-------|--------------------------------|----------------------------------|------|------|--------------------|-----|------|-------------------|------------------------------------|-----------------------------------|
| mm | mm | mm | | | mm | mm | mm | mm | mm | | | |
| ▼ h = 16,0 mm | | | | | | | | | | | | |
| 16,0 | 16,0 | 125,0 | TF3.51.1616.E.12.00 R/L | R ATM4 L ATM3 | 16,3 | - | 16,0 | 9,0 | 24,0 | F M5x13 T20R | T20R | R TF3.R.51.00 L TF3.L.51.00 |
| ▼ h = 20,0 mm | | | | | | | | | | | | |
| 20,0 | 20,0 | 150,0 | TF3.50.2020.E.15.00 R/L | R ATMZ L ATX2 | 20,3 | 14,6 | 20,0 | 5,0 | 26,5 | F M5x13 T20R | T20R | R TF3.R.50.00 L TF3.L.50.00 |
| 20,0 | 20,0 | 125,0 | TF3.51.2020.E.12.00 R/L | R ATM6 L ATM5 | 20,3 | - | 20,0 | 5,0 | 24,0 | F M5x13 T20R | T20R | R TF3.R.51.00 L TF3.L.51.00 |
| ▼ h = 25,0 mm | | | | | | | | | | | | |
| 25,0 | 25,0 | 150,0 | TF3.50.2525.E.15.00 R/L | R ATMØ L ATX3 | 25,3 | 19,6 | 25,0 | - | - | F M5x13 T20R | T20R | R TF3.R.50.00 L TF3.L.50.00 |
| 25,0 | 25,0 | 150,0 | TF3.51.2525.E.15.00 R/L | R ATM8 L ATM7 | 25,3 | - | 25,0 | - | - | F M5x13 T20R | T20R | R TF3.R.51.00 L TF3.L.51.00 |
| ▼ h = 32,0 mm | | | | | | | | | | | | |
| 32,0 | 25,0 | 150,0 | TF3.50.3225.E.15.00 R/L | R ATM2 L ATM1 | 25,3 | 26,6 | 32,0 | - | - | F M5x13 T20R | T20R | R TF3.R.50.00 L TF3.L.50.00 |

Bestellbeispiel // Order Example: **TF3.51.2525.E.15.00 R** (R = Rechte Ausführung // Right Hand Version)

Kassette für Modulares Werkzeugsystem TOA

Geeignet für SIMTEK CAPTO™ TOA-Grundhalter.

Cassette for Modular Tool System TOA

For use on SIMTEK CAPTO™ TOA-Base Toolholder.

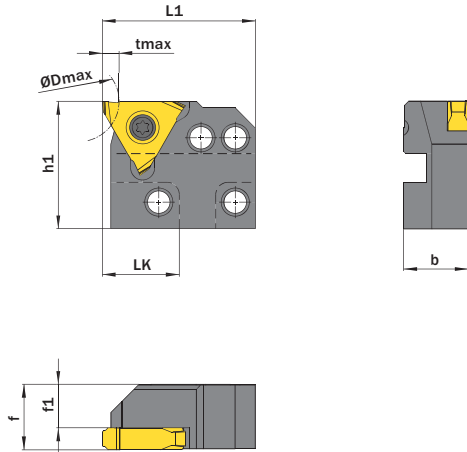


Abbildung zeigt / Drawing shows: TOA.F56.V3.00 R

Anzugsmoment (Schraube) // Tightening Torque (Screw)

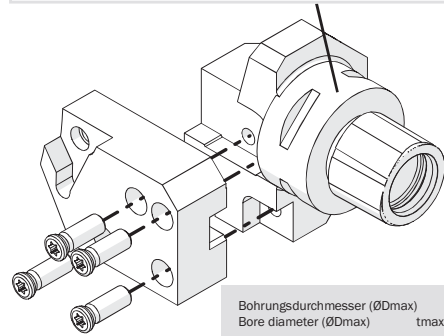
7,0 Nm



Legende auf Seite
Legend on page **289**

Grundhalter finden Sie ab Seite 304
Base Toolholder are shown as of Page 304

Beispielhafte Illustration des Systems simturn® OA (mit anderer Kassette).
Exemplary illustration of the simturn® OA Tool System (with other cassette).



| Bohrungsdurchmesser (ØDmax) | | Bore diameter (ØDmax) | |
|-----------------------------|------------------|-----------------------|------|
| | tmax | | tmax |
| Ø20 mm / 0,7874" | 4,0 mm / 0,1575" | | |
| Ø30 mm / 1,1811" | 4,0 mm / 0,1575" | | |
| Ø40 mm / 1,5748" | 4,0 mm / 0,1575" | | |
| Ø50 mm / 1,9685" | 3,5 mm / 0,1378" | | |
| Ø60 mm / 2,3622" | 3,5 mm / 0,1378" | | |
| Ø100 mm / 3,9370" | 3,0 mm / 0,1181" | | |

| Artikelnummer Part number | Webcode www.simtek.eu/webcode | b | f | f1 | h1 | LK | L1 | Schraube Screw | Schraubenschlüssel Screw driver | Connectcode www.simtek.eu/code |
|------------------------------|----------------------------------|------|------|------|-------|------|------|-------------------|------------------------------------|-----------------------------------|
| | | | | | | | | | | |
| TOA.F56.V3.00 R | AF7W | 16,0 | 16,2 | 11,0 | 31,65 | 19,1 | 38,0 | FM5x13 T20R | T20R | TF3.R.00.00 |

Bestellbeispiel // Order Example: **TOA.F56.V3.00 R** (R = Rechte Ausführung // Right Hand Version)

Kassette für Modulares Werkzeugsystem TOA

Geeignet für SIMTEK CAPTO™ TOA-Grundhalter.

Cassette for Modular Tool System TOA

For use on SIMTEK CAPTO™ TOA-Base Toolholder.

Anzugsmoment (Schraube) // Tightening Torque (Screw)

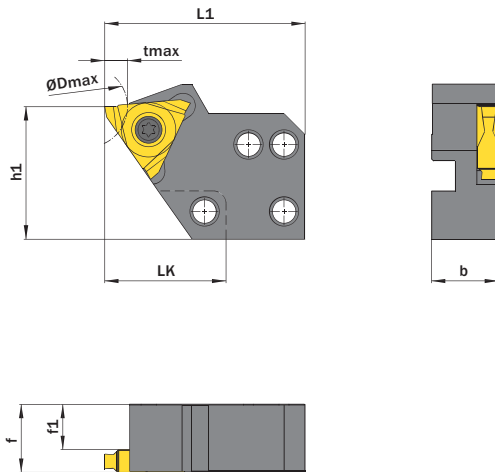
7,0 Nm

TW
ST

R

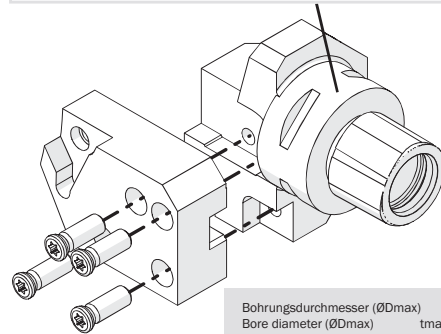
Legende auf Seite
Legend on page

289



Grundhalter finden Sie ab Seite 304
Base Toolholder are shown as of Page 304

Beispielhafte Illustration des Systems simturn® OA (mit anderer Kassette).
Exemplary illustration of the simturn® OA Tool System (with other cassette).



| Bohrerdurchmesser (ØDmax) Bore diameter (ØDmax) | tmax |
|--|------------------|
| Ø20 mm / 0,7874" | 4,0 mm / 0,1575" |
| Ø30 mm / 1,1811" | 4,0 mm / 0,1575" |
| Ø40 mm / 1,5748" | 4,0 mm / 0,1575" |
| Ø50 mm / 1,9685" | 3,5 mm / 0,1378" |
| Ø60 mm / 2,3622" | 3,5 mm / 0,1378" |
| Ø100 mm / 3,9370" | 3,0 mm / 0,1181" |

Abbildung zeigt / Drawing shows: TOA.F56.V1.51 R

| Artikelnummer Part number | Webcode www.simtek.eu/webcode | b | f | f1 | h1 | LK | L1 | Schraube Screw | Schraubenschlüssel Screw driver | Connectcode www.simtek.eu/code |
|------------------------------|----------------------------------|------|------|------|-------|------|------|-------------------|------------------------------------|-----------------------------------|
| | | | | | | | | | | |
| TOA.F56.V1.51 R/L | R ATX4 L AKZP | 16,0 | 16,2 | 11,0 | 31,65 | 29,0 | 48,0 | f M5x13 T20R | T20R | R TF3.R.51.00 L TF3.L.51.00 |

Bestellbeispiel // Order Example: **TOA.F56.V1.51 R** (R = Rechte Ausführung // Right Hand Version)

Kassette für Modulares Werkzeugsystem TOA

Geeignet für SIMTEK CAPTO™ TOA-Grundhalter.

Cassette for Modular Tool System TOA

For use on SIMTEK CAPTO™ TOA-Base Toolholder.

Anzugsmoment (Schraube) // Tightening Torque (Screw)

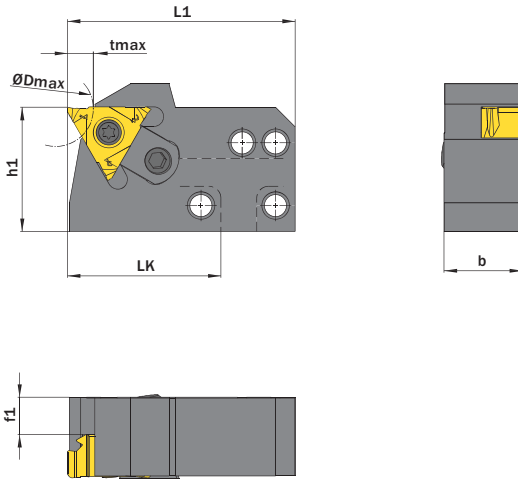
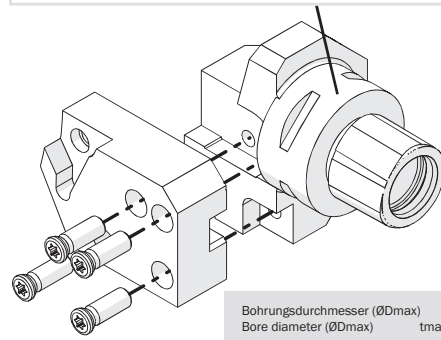
7,0 Nm

TW
ST

R

Legende auf Seite
Legend on page

289

Grundhalter finden Sie ab Seite 304
Base Toolholder are shown as of Page 304Beispielhafte Illustration des Systems simturn® OA (mit anderer Kassette).
Exemplary illustration of the simturn® OA Tool System (with other cassette).

| Bohrungsdurchmesser (ØDmax) Bore diameter (ØDmax) | tmax |
|--|------------------|
| Ø20 mm / 0,7874" | 6,0 mm / 0,2362" |
| Ø30 mm / 1,1811" | 4,5 mm / 0,1772" |
| Ø40 mm / 1,5748" | 4,0 mm / 0,1575" |
| Ø50 mm / 1,9685" | 3,5 mm / 0,1378" |
| Ø60 mm / 2,3622" | 3,5 mm / 0,1378" |
| Ø100 mm / 3,9370" | 3,0 mm / 0,1181" |

Abbildung zeigt / Drawing shows: TOA.F22.V1.10 R

| Artikelnummer Part number | Webcode www.simtek.eu/webcode | b | f1 | h1 | LK | L1 | Schraube Screw | Schraubenschlüssel Screw driver | Connectcode www.simtek.eu/code |
|------------------------------|----------------------------------|------|-----|-------|------|------|-------------------|------------------------------------|-----------------------------------|
| | | mm | mm | mm | mm | mm | | | |
| TOA.F22.V1.10 R | ANPN | 20,0 | 9,5 | 31,65 | 39,1 | 58,0 | FM5x15 T20R | T20R | TF3.R.00.10 |

Bestellbeispiel // Order Example: TOA.F22.V1.10 R (R = Rechte Ausführung // Right Hand Version)

Klemmhalter, Außenbearbeitung

Trägerschaft für die Außenbearbeitung,
bei Formbreiten bis etwa 6,0 mm.

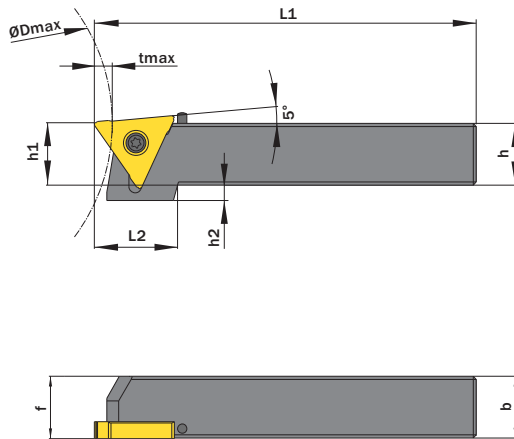
Toolholder, External Applications

Toolholder für external applications
and form widths up to 6,0 mm.

Anzugsmoment (Schraube) // Tightening Torque (Screw)

"F M5x11,5 T20R": 7,0 Nm
"F M5x13 T20R": 7,0 Nm
"F M5x15 T20R": 7,0 Nm

TW **R** Legende auf Seite 289
ST Legend on page



| Bohrungsdurchmesser (ØDmax) Bore diameter (ØDmax) | tmax |
|--|------------------|
| Ø63,0 mm / 2.4803" | 6,5 mm / 0.2559" |
| Ø80,0 mm / 3.1496" | 6,5 mm / 0.2559" |
| Ø100,0 mm / 3.9370" | 6,5 mm / 0.2559" |
| Ø125,0 mm / 4.9213" | 6,0 mm / 0.2362" |
| Ø160,0 mm / 6.2992" | 6,0 mm / 0.2362" |
| Ø200,0 mm / 7.8740" | 5,5 mm / 0.2165" |

Abbildung zeigt / Drawing shows: TF8.51.2020.A.12.04 R

| h | b | L1 | Artikelnummer Part number | Webcode www.simtek.eu/webcode | f | h1 _{js14} | h2 | L2 | Schraube Screw | Schraubenschlüssel Screw driver | Connectcode www.simtek.eu/ccode |
|----------------------|------|-------|------------------------------|----------------------------------|------|--------------------|------|------|-------------------|------------------------------------|------------------------------------|
| mm | mm | mm | | | mm | mm | mm | mm | | | |
| ▼ h = 12,0 mm | | | | | | | | | | | |
| 12,0 | 12,0 | 80,0 | TF8.51.1212.A.08.04 R/L | R AQM7 L AQM8 | 12,2 | 12,0 | 13,0 | 28,0 | F M5x11,5 T20R | T20T | R TF8.R.51.04 L TF8.L.51.04 |
| 12,0 | 12,0 | 80,0 | TF8.51.1212.A.08.06 R/L | R ATPX L ATPW | 12,2 | 12,0 | 13,0 | 28,0 | F M5x11,5 T20R | T20T | R TF8.R.51.06 L TF8.L.51.06 |
| 12,0 | 16,0 | 80,0 | TF8.51.1216.A.08.04 R/L | R AQNP L AQNN | 16,2 | 12,0 | 13,0 | 28,0 | F M5x13 T20R | T20T | R TF8.R.51.04 L TF8.L.51.04 |
| 12,0 | 16,0 | 80,0 | TF8.51.1216.A.08.06 R/L | R ATP1 L ATP0 | 16,2 | 12,0 | 13,0 | 28,0 | F M5x13 T20R | T20T | R TF8.R.51.06 L TF8.L.51.06 |
| 12,0 | 16,0 | 100,0 | TF8.51.1216.A.10.04 R/L | R AQNA L AQM9 | 16,2 | 12,0 | 13,0 | 28,0 | F M5x13 T20R | T20T | R TF8.R.51.04 L TF8.L.51.04 |
| 12,0 | 16,0 | 100,0 | TF8.51.1216.A.10.06 R/L | R ATP3 L ATP2 | 16,2 | 12,0 | 13,0 | 28,0 | F M5x13 T20R | T20T | R TF8.R.51.06 L TF8.L.51.06 |
| ▼ h = 16,0 mm | | | | | | | | | | | |
| 16,0 | 16,0 | 80,0 | TF8.51.1616.A.08.04 R/L | R AQNS L AQNQ | 16,2 | 16,0 | 9,0 | 28,0 | F M5x13 T20R | T20T | R TF8.R.51.04 L TF8.L.51.04 |
| 16,0 | 16,0 | 80,0 | TF8.51.1616.A.08.06 R/L | R ATP9 L ATP8 | 16,2 | 16,0 | 9,0 | 28,0 | F M5x13 T20R | T20T | R TF8.R.51.06 L TF8.L.51.06 |
| 16,0 | 16,0 | 100,0 | TF8.51.1616.A.10.04 R/L | R AQNC L AQNB | 16,2 | 16,0 | 9,0 | 28,0 | F M5x13 T20R | T20T | R TF8.R.51.04 L TF8.L.51.04 |
| 16,0 | 16,0 | 100,0 | TF8.51.1616.A.10.06 R/L | R ATQB L ATQA | 16,2 | 16,0 | 9,0 | 28,0 | F M5x13 T20R | T20T | R TF8.R.51.06 L TF8.L.51.06 |
| ▼ h = 20,0 mm | | | | | | | | | | | |
| 20,0 | 20,0 | 100,0 | TF8.51.2020.A.10.04 R/L | R AQNU L AQNT | 20,2 | 20,0 | 5,0 | 28,0 | F M5x15 T20R | T20T | R TF8.R.51.04 L TF8.L.51.04 |
| 20,0 | 20,0 | 100,0 | TF8.51.2020.A.10.06 R/L | R ATQH L ATQG | 20,2 | 20,0 | 5,0 | 28,0 | F M5x15 T20R | T20T | R TF8.R.51.06 L TF8.L.51.06 |
| 20,0 | 20,0 | 125,0 | TF8.51.2020.A.12.04 R/L | R AQNE L AQND | 20,2 | 20,0 | 5,0 | 28,0 | F M5x15 T20R | T20T | R TF8.R.51.04 L TF8.L.51.04 |
| 20,0 | 20,0 | 125,0 | TF8.51.2020.A.12.06 R/L | R ATQK L ATQJ | 20,2 | 20,0 | 5,0 | 28,0 | F M5x15 T20R | T20T | R TF8.R.51.06 L TF8.L.51.06 |

Fortsetzung auf Folgeseite // Continued on the next page
Verwandte Artikel finden Sie auch auf der nächsten Seite... // Related items can also be found on the next page...

Bestellbeispiel // Order Example: TF8.51.2020.A.12.04 R (R = Rechte Ausführung // Right Hand Version)

Klemmhalter, Außenbearbeitung

Trägerschaft für die Außenbearbeitung,
bei Formbreiten bis etwa 6,0 mm.

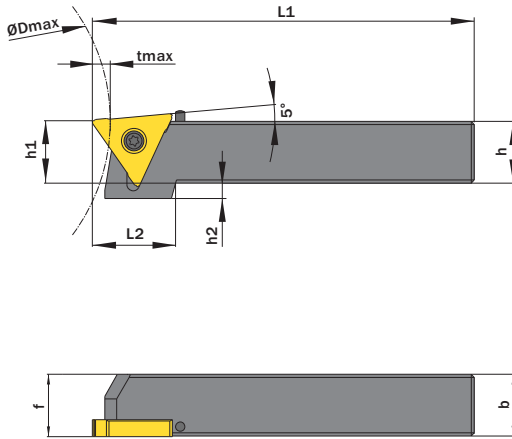
Toolholder, External Applications

Toolholder für external applications
and form widths up to 6,0 mm.

Anzugsmoment (Schraube) // Tightening Torque (Screw)

7,0 Nm

TW **ST** **R** Legende auf Seite // Legend on page **289**



| Bohrungsdurchmesser (ØDmax) Bore diameter (ØDmax) | tmax |
|--|------------------|
| Ø63,0 mm / 2.4803" | 6,5 mm / 0.2559" |
| Ø80,0 mm / 3.1496" | 6,5 mm / 0.2559" |
| Ø100,0 mm / 3.9370" | 6,5 mm / 0.2559" |
| Ø125,0 mm / 4.9213" | 6,0 mm / 0.2362" |
| Ø160,0 mm / 6.2992" | 6,0 mm / 0.2362" |
| Ø200,0 mm / 7.8740" | 5,5 mm / 0.2165" |

Abbildung zeigt / Drawing shows: TF8.51.2020.A.12.04 R

| h | b | L1 | Artikelnummer Part number | Webcode www.simtek.eu/webcode | f | h1 ^{js14} | h2 | L2 | Schraube Screw | Schraubenschlüssel Screw driver | Connectcode www.simtek.eu/ccode |
|---|------|-------|--------------------------------|----------------------------------|------|--------------------|----|----|-------------------|------------------------------------|------------------------------------|
| mm | mm | mm | | | mm | mm | mm | mm | | | |
| Fortgesetzte Tabelle // Continued Table Verwandte Artikel finden Sie auf der vorhergehenden Seite... // Related items can be found on the previous page... | | | | | | | | | | | |
| ▼ h = 25,0 mm | | | | | | | | | | | |
| 25,0 | 25,0 | 125,0 | TF8.51.2525.A.12.04 R/L | R AQNW L AQNV | 25,2 | 25,0 | - | - | F M5x15 T20R | T20T | R TF8.R.51.04 L TF8.L.51.04 |
| 25,0 | 25,0 | 125,0 | TF8.51.2525.A.12.06 R/L | R ATQT L ATQS | 25,2 | 25,0 | - | - | F M5x15 T20R | T20T | R TF8.R.51.06 L TF8.L.51.06 |
| 25,0 | 25,0 | 150,0 | TF8.51.2525.A.15.04 R/L | R AQNG L AQNF | 25,2 | 25,0 | - | - | F M5x15 T20R | T20T | R TF8.R.51.04 L TF8.L.51.04 |
| 25,0 | 25,0 | 150,0 | TF8.51.2525.A.15.06 R/L | R ATQV L ATQU | 25,2 | 25,0 | - | - | F M5x15 T20R | T20T | R TF8.R.51.06 L TF8.L.51.06 |
| ▼ h = 32,0 mm | | | | | | | | | | | |
| 32,0 | 25,0 | 125,0 | TF8.51.2532.A.12.04 R/L | R AQNY L AQNX | 25,2 | 32,0 | - | - | F M5x15 T20R | T20T | R TF8.R.51.04 L TF8.L.51.04 |
| 32,0 | 25,0 | 125,0 | TF8.51.2532.A.12.06 R/L | R ATQ1 L ATQ0 | 25,2 | 32,0 | - | - | F M5x15 T20R | T20T | R TF8.R.51.06 L TF8.L.51.06 |
| 32,0 | 25,0 | 170,0 | TF8.51.2532.A.17.04 R/L | R AQNJ L AQNH | 25,2 | 32,0 | - | - | F M5x15 T20R | T20T | R TF8.R.51.04 L TF8.L.51.04 |
| 32,0 | 25,0 | 170,0 | TF8.51.2532.A.17.06 R/L | R ATQ3 L ATQ2 | 25,2 | 32,0 | - | - | F M5x15 T20R | T20T | R TF8.R.51.06 L TF8.L.51.06 |
| 32,0 | 32,0 | 140,0 | TF8.51.3232.A.14.04 R/L | R AQN0 L AQNZ | 32,2 | 32,0 | - | - | F M5x15 T20R | T20T | R TF8.R.51.04 L TF8.L.51.04 |
| 32,0 | 32,0 | 140,0 | TF8.51.3232.A.14.06 R/L | R ATQ9 L ATQ8 | 32,2 | 32,0 | - | - | F M5x15 T20R | T20T | R TF8.R.51.06 L TF8.L.51.06 |
| 32,0 | 32,0 | 170,0 | TF8.51.3232.A.17.04 R/L | R AQNM L AQNK | 32,2 | 32,0 | - | - | F M5x15 T20R | T20T | R TF8.R.51.04 L TF8.L.51.04 |
| 32,0 | 32,0 | 170,0 | TF8.51.3232.A.17.06 R/L | R ATSB L ATSA | 32,2 | 32,0 | - | - | F M5x15 T20R | T20T | R TF8.R.51.06 L TF8.L.51.06 |

Bestellbeispiel // Order Example: **TF8.51.3232.A.17.06 R** (R = Rechte Ausführung // Right Hand Version)

Klemmhalter, Außenbearbeitung

Trägerschaft für die Außenbearbeitung, besonders geeignet für hohe Stechtiefen bei relativ schmalen Schneidenbreiten.

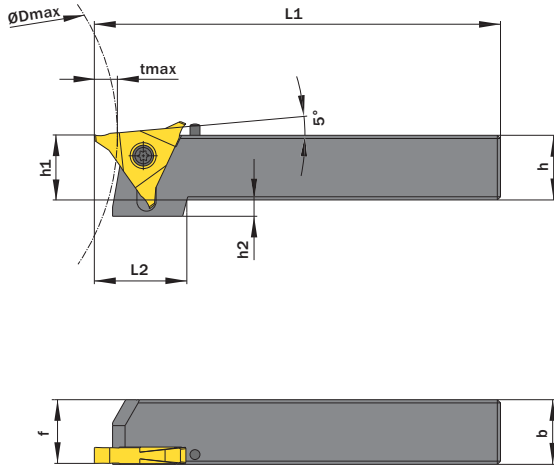
Toolholder, External Applications

Toolholder for external applications and especially for cutting inserts with higher cutting depths and smaller widths.

Anzugsmoment (Schraube) // Tightening Torque (Screw)

"F M5x11,5 T20R": 7,0 Nm
"F M5x13 T20R": 7,0 Nm
"F M5x15 T20R": 7,0 Nm

TW **R** Legende auf Seite 289
ST Legend on page



| Bohrungsdurchmesser (ØDmax) | Bore diameter (ØDmax) | tmax |
|-----------------------------|-----------------------|------|
| Ø63,0 mm / 2.4803" | 8,5 mm / 0.3346" | |
| Ø80,0 mm / 3.1496" | 8,0 mm / 0.3150" | |
| Ø100,0 mm / 3.9370" | 8,0 mm / 0.3150" | |
| Ø125,0 mm / 4.9213" | 8,0 mm / 0.3150" | |
| Ø160,0 mm / 6.2992" | 7,5 mm / 0.2953" | |
| Ø200,0 mm / 7.8740" | 7,5 mm / 0.2953" | |

Abbildung zeigt / Drawing shows: TF8.51.2020.E.12.04 R

| h | b | L1 | Artikelnummer Part number | Webcode www.simtek.eu/webcode | f | h1 _{js14} | h2 | L2 | Schraube Screw | Schraubenschlüssel Screw driver | Connectcode www.simtek.eu/ccode |
|----------------------|------|-------|--------------------------------|----------------------------------|------|--------------------|------|------|-------------------|------------------------------------|------------------------------------|
| mm | mm | mm | | | mm | mm | mm | mm | | | |
| ▼ h = 12,0 mm | | | | | | | | | | | |
| 12,0 | 12,0 | 80,0 | TF8.51.1212.E.08.04 R/L | R ATNA L ATM9 | 12,2 | 12,0 | 13,0 | 28,0 | F M5x11,5 T20R | T20T | R TF8.R.51.04 L TF8.L.51.04 |
| 12,0 | 12,0 | 80,0 | TF8.51.1212.E.08.06 R/L | R ATPZ L ATPY | 12,2 | 12,0 | 13,0 | 28,0 | F M5x11,5 T20R | T20T | R TF8.R.51.06 L TF8.L.51.06 |
| 12,0 | 16,0 | 80,0 | TF8.51.1216.E.08.04 R/L | R ATNC L ATNB | 16,2 | 12,0 | 13,0 | 28,0 | F M5x13 T20R | T20T | R TF8.R.51.04 L TF8.L.51.04 |
| 12,0 | 16,0 | 80,0 | TF8.51.1216.E.08.06 R/L | R ATP5 L ATP4 | 16,2 | 12,0 | 13,0 | 28,0 | F M5x13 T20R | T20T | R TF8.R.51.06 L TF8.L.51.06 |
| 12,0 | 16,0 | 100,0 | TF8.51.1216.E.10.04 R/L | R ATNE L ATND | 16,2 | 12,0 | 13,0 | 28,0 | F M5x13 T20R | T20T | R TF8.R.51.04 L TF8.L.51.04 |
| 12,0 | 16,0 | 100,0 | TF8.51.1216.E.10.06 R/L | R ATP7 L ATP6 | 16,2 | 12,0 | 13,0 | 28,0 | F M5x13 T20R | T20T | R TF8.R.51.06 L TF8.L.51.06 |
| ▼ h = 16,0 mm | | | | | | | | | | | |
| 16,0 | 16,0 | 80,0 | TF8.51.1616.E.08.04 R/L | R ATNG L ATNF | 16,2 | 16,0 | 9,0 | 28,0 | F M5x13 T20R | T20T | R TF8.R.51.04 L TF8.L.51.04 |
| 16,0 | 16,0 | 80,0 | TF8.51.1616.E.08.06 R/L | R ATQD L ATQC | 16,2 | 16,0 | 9,0 | 28,0 | F M5x13 T20R | T20T | R TF8.R.51.06 L TF8.L.51.06 |
| 16,0 | 16,0 | 100,0 | TF8.51.1616.E.10.04 R/L | R ATNJ L ATNH | 16,2 | 16,0 | 9,0 | 28,0 | F M5x13 T20R | T20T | R TF8.R.51.04 L TF8.L.51.04 |
| 16,0 | 16,0 | 100,0 | TF8.51.1616.E.10.06 R/L | R ATQF L ATQE | 16,2 | 16,0 | 9,0 | 28,0 | F M5x13 T20R | T20T | R TF8.R.51.06 L TF8.L.51.06 |
| ▼ h = 20,0 mm | | | | | | | | | | | |
| 20,0 | 20,0 | 100,0 | TF8.51.2020.E.10.04 R/L | R ATNM L ATNK | 20,2 | 20,0 | 5,0 | 28,0 | F M5x15 T20R | T20T | R TF8.R.51.04 L TF8.L.51.04 |
| 20,0 | 20,0 | 100,0 | TF8.51.2020.E.10.06 R/L | R ATQN L ATQM | 20,2 | 20,0 | 5,0 | 28,0 | F M5x15 T20R | T20T | R TF8.R.51.06 L TF8.L.51.06 |
| 20,0 | 20,0 | 125,0 | TF8.51.2020.E.12.04 R/L | R ATNP L ATNN | 20,2 | 20,0 | 5,0 | 28,0 | F M5x15 T20R | T20T | R TF8.R.51.04 L TF8.L.51.04 |
| 20,0 | 20,0 | 125,0 | TF8.51.2020.E.12.06 R/L | R ATQQ L ATQP | 20,2 | 20,0 | 5,0 | 28,0 | F M5x15 T20R | T20T | R TF8.R.51.06 L TF8.L.51.06 |

Fortsetzung auf Folgeseite // Continued on the next page
Verwandte Artikel finden Sie auch auf der nächsten Seite... // Related items can also be found on the next page...

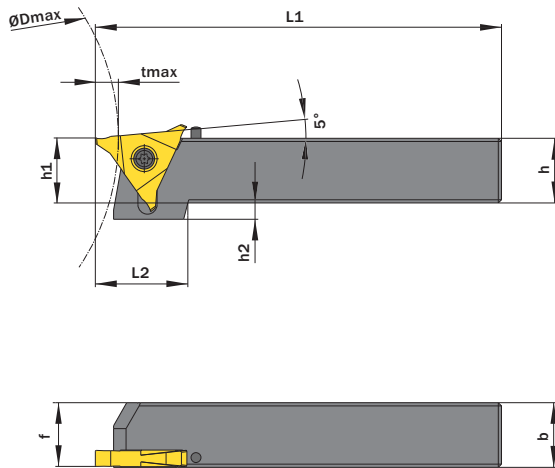
Bestellbeispiel // Order Example: **TF8.51.2020.E.12.06 R** (R = Rechte Ausführung // Right Hand Version)

Klemmhalter, Außenbearbeitung

Trägerschaft für die Außenbearbeitung, besonders geeignet für hohe Stechtiefen bei relativ schmalen Schneidenbreiten.

Toolholder, External Applications

Toolholder for external applications and especially for cutting inserts with higher cutting depths and smaller widths.



Anzugsmoment (Schraube) // Tightening Torque (Screw)

7,0 Nm

Legende auf Seite
Legend on page

289

| Bohrungsdurchmesser (ØDmax) Bore diameter (ØDmax) | tmax |
|--|------------------|
| Ø63,0 mm / 2.4803" | 8,5 mm / 0.3346" |
| Ø80,0 mm / 3.1496" | 8,0 mm / 0.3150" |
| Ø100,0 mm / 3.9370" | 8,0 mm / 0.3150" |
| Ø125,0 mm / 4.9213" | 8,0 mm / 0.3150" |
| Ø160,0 mm / 6.2992" | 7,5 mm / 0.2953" |
| Ø200,0 mm / 7.8740" | 7,5 mm / 0.2953" |

Abbildung zeigt / Drawing shows: TF8.51.2020.E.12.04 R

| h | b | L1 | Artikelnummer Part number | Webcode www.simtek.eu/webcode | f | h1 _{js14} | h2 | L2 | Schraube Screw | Schraubenschlüssel Screw driver | Connectcode www.simtek.eu/ccode |
|----|----|----|------------------------------|----------------------------------|----|--------------------|----|----|-------------------|------------------------------------|------------------------------------|
| mm | mm | mm | | | mm | mm | mm | mm | | | |



Fortgesetzte Tabelle // Continued Table

Verwandte Artikel finden Sie auf der vorhergehenden Seite... // Related items can be found on the previous page...

| ▼ h = 25,0 mm | | | | | | | | | | | | | | | | | |
|---------------|------|-------|-------------------------|---|------|---|------|------|------|---|---|--------------|------|---|-------------|---|-------------|
| 25,0 | 25,0 | 125,0 | TF8.51.2525.E.12.04 R/L | R | ATNT | L | ATNS | 25,2 | 25,0 | - | - | F M5x15 T20R | T20T | R | TF8.R.51.04 | L | TF8.L.51.04 |
| 25,0 | 25,0 | 125,0 | TF8.51.2525.E.12.06 R/L | R | ATQX | L | ATQW | 25,2 | 25,0 | - | - | F M5x15 T20R | T20T | R | TF8.R.51.06 | L | TF8.L.51.06 |
| 25,0 | 25,0 | 150,0 | TF8.51.2525.E.15.04 R/L | R | ATNV | L | ATNU | 25,2 | 25,0 | - | - | F M5x15 T20R | T20T | R | TF8.R.51.04 | L | TF8.L.51.04 |
| 25,0 | 25,0 | 150,0 | TF8.51.2525.E.15.06 R/L | R | ATQZ | L | ATQY | 25,2 | 25,0 | - | - | F M5x15 T20R | T20T | R | TF8.R.51.06 | L | TF8.L.51.06 |
| ▼ h = 32,0 mm | | | | | | | | | | | | | | | | | |
| 32,0 | 25,0 | 125,0 | TF8.51.2532.E.12.04 R/L | R | ATNX | L | ATNW | 25,2 | 32,0 | - | - | F M5x15 T20R | T20T | R | TF8.R.51.04 | L | TF8.L.51.04 |
| 32,0 | 25,0 | 125,0 | TF8.51.2532.E.12.06 R/L | R | ATQ5 | L | ATQ4 | 25,2 | 32,0 | - | - | F M5x15 T20R | T20T | R | TF8.R.51.06 | L | TF8.L.51.06 |
| 32,0 | 25,0 | 170,0 | TF8.51.2532.E.17.04 R/L | R | ATNZ | L | ATNY | 25,2 | 32,0 | - | - | F M5x15 T20R | T20T | R | TF8.R.51.04 | L | TF8.L.51.04 |
| 32,0 | 25,0 | 170,0 | TF8.51.2532.E.17.06 R/L | R | ATQ7 | L | ATQ6 | 25,2 | 32,0 | - | - | F M5x15 T20R | T20T | R | TF8.R.51.06 | L | TF8.L.51.06 |
| 32,0 | 32,0 | 140,0 | TF8.51.3232.E.14.04 R/L | R | ATN1 | L | ATN0 | 32,2 | 32,0 | - | - | F M5x15 T20R | T20T | R | TF8.R.51.04 | L | TF8.L.51.04 |
| 32,0 | 32,0 | 140,0 | TF8.51.3232.E.14.06 R/L | R | ATSD | L | ATSC | 32,2 | 32,0 | - | - | F M5x15 T20R | T20T | R | TF8.R.51.06 | L | TF8.L.51.06 |
| 32,0 | 32,0 | 170,0 | TF8.51.3232.E.17.04 R/L | R | ATN3 | L | ATN2 | 32,2 | 32,0 | - | - | F M5x15 T20R | T20T | R | TF8.R.51.04 | L | TF8.L.51.04 |
| 32,0 | 32,0 | 170,0 | TF8.51.3232.E.17.06 R/L | R | ATSF | L | ATSE | 32,2 | 32,0 | - | - | F M5x15 T20R | T20T | R | TF8.R.51.06 | L | TF8.L.51.06 |

Bestellbeispiel // Order Example: **TF8.51.3232.E.17.06 R** (R = Rechte Ausführung // Right Hand Version)